

SKF Fully Loaded Hub Assembly

A unique line of high performance hub units from SKF

SKF brings together the top heavy duty wheel end technologies to offer the most durable, technologically advanced solution to give your fleet HUGE UPTIME.

This assembly includes the Dura-lite hub unit, the lightest hub in the industry that is also as durable as steel forgings. It also features the CR Scotseal X-Treme with advanced heat technology and SKF HYATT bearings.



Dura-Light Hub®

- More capacity for entire trailer life; helps offset recent increases in tractor weight
- Weight reduction without trailer life compromise
- Industry-leading lubricant capacity extends bearing and seal life
- No aluminum hub maintenance risks

CR Scotseal X-Treme

- PACE award winning design
- Higher robustness to accommodate today's operating temperatures
- Reduced friction for improved rolling efficiency
- Improved fuel economy and lower emissions

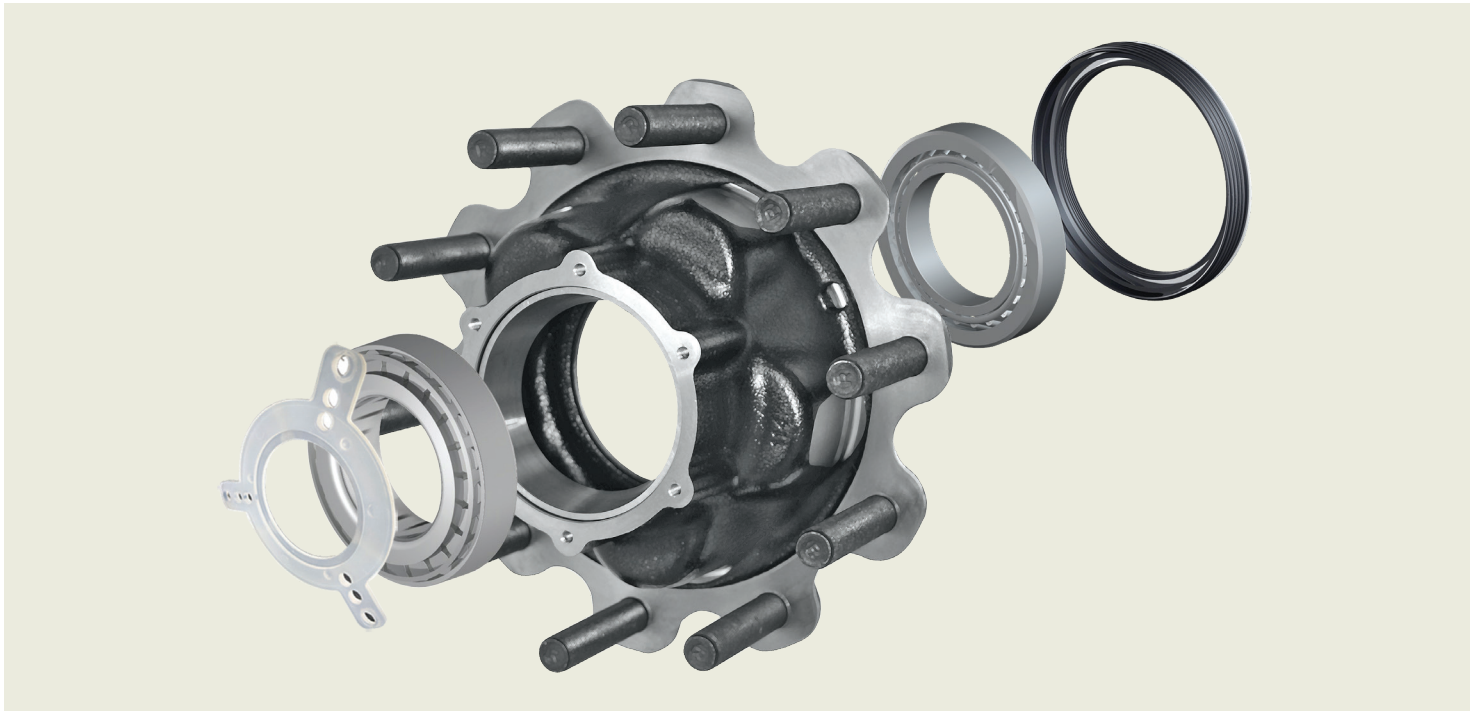
SKF HYATT bearings

- Leading bearing supplier for North American OEM wheel ends

Huge Uptime = Huge \$avings

Save time & money with SKF Fully Loaded Trailer hubs

Loaded hub part number	Bearings (Inner/Outer)	CR Scotseal X-Treme	Composite cap (Oil / Grease)	Aluminum cap (Oil / Grease)	Lbs.	Stud standout	Description
TNHUB1	SET/413 / SET414	46300XT	1643 / 1343	1843 / 1841	42	3.72" Dual Alum	Tapered axle-ABS-Aluminum wheels (Long studs)
TNHUB2	SET/413 / SET414	46300XT	1643 / 1343	1843 / 1841	41	2.96" Dual Steel	Tapered axle-ABS-Steel wheels (Short studs)
TPHUB1	SET415 / SET415	42627XT	1696 / 1399	1869 / 1899	46	3.72" Dual Alum	Parallel axle-ABS-Aluminum wheels (Long studs)
TPHUB2	SET415 / SET415	42627XT	1696 / 1399	1869 / 1899	46	2.96" Dual Steel	Parallel axle-ABS-Steel wheels (Short studs)



SKF Exploded hub with included retainer

© SKF Group 2021

® SKF is a registered trademark of the SKF Group.

® Dura-Light Hub® is a federally registered trademark of Walther Engineering and Manufacturing Company, Inc.

The contents of this publication are the copyright of the publisher and may not be reproduced (even extracts) unless permission is granted. Every care has been taken to ensure the accuracy of the information contained in this publication but no liability can be accepted for any loss or damage whether direct, indirect or consequential arising out of the use of the information contained herein.

Publication 457078 • 01/2021 • Printed in U.S.A.

